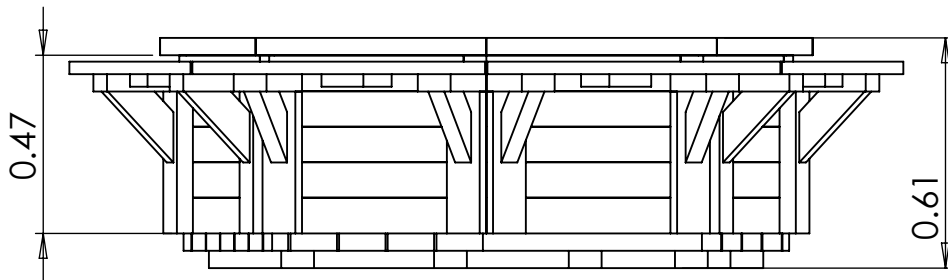
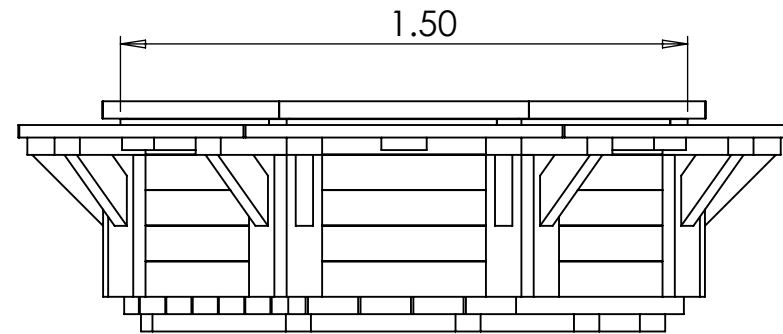


Colours above are for representation only



All dimensions in metres



Copyright © Educational Play 2016. All Rights Reserved. No Part of this document or the design within it may be reproduced in any form without prior written permission from Educational Play. Educational Play is part of Playchildren Limited Registered in England No. 4387890

TITLE:
**1.5m Octagonal Big Planter
 (0.6m High - With Seating)**

DWG NO. CP-EPBP-OCT06-15DWS				SIZE A4
DRAWN BY:	Luke Frost	SCALE:	1:20	DRAWN DATE: 15 Jan 2016
STATUS:	Approved	SHEET 1 OF 1	REVISION:	A01