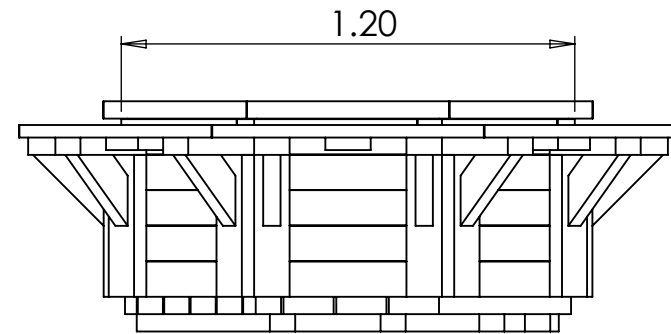



Colours above are for representation only



All dimensions in metres

	TITLE:			
	<h2>1.2m Octagonal Big Planter (0.6m High - With Seating)</h2>			
Copyright © Educational Play 2016. All Rights Reserved. No Part of this document or the design within it may be reproduced in any form without prior written permission from Educational Play. Educational Play is part of Playchildren Limited Registered in England No. 4387890	DWG NO. CP-EPBP-OCT06-12DWS			SIZE A4
DRAWN BY: Luke Frost	SCALE: 1:20	DRAWN DATE: 15 Jan 2016		
STATUS: Approved	SHEET 1 OF 1	REVISION:	A01	